

FIG.1A

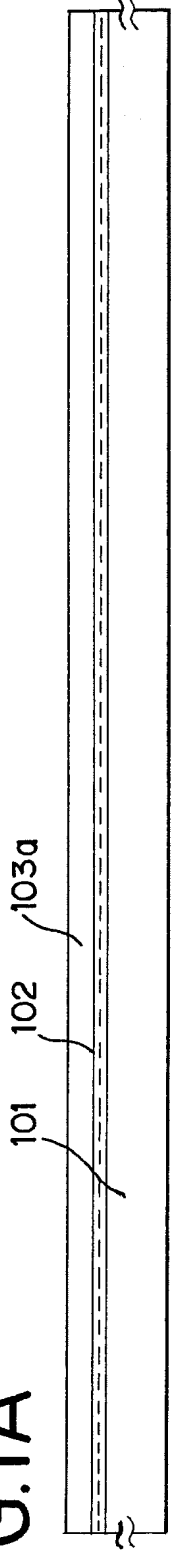


FIG.1B

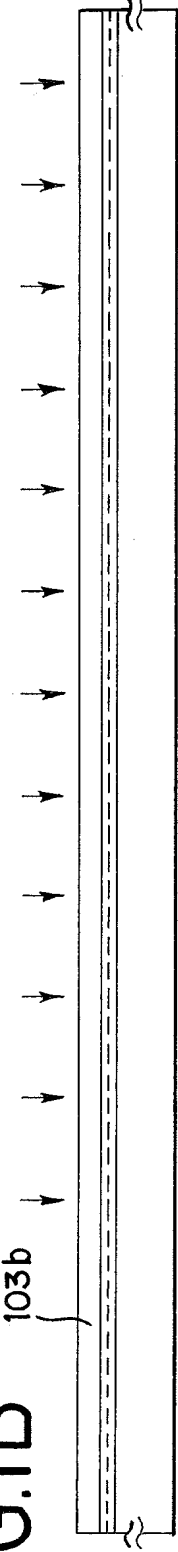


FIG.1C

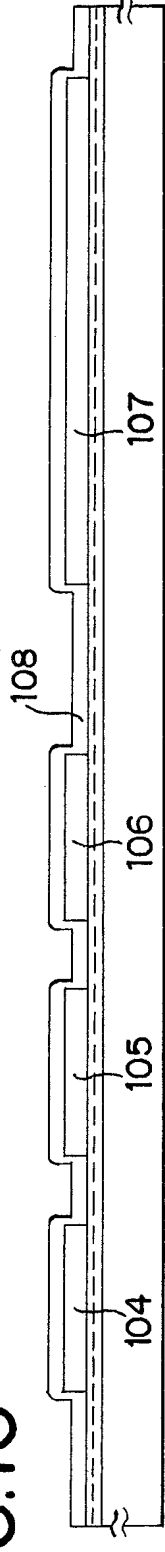
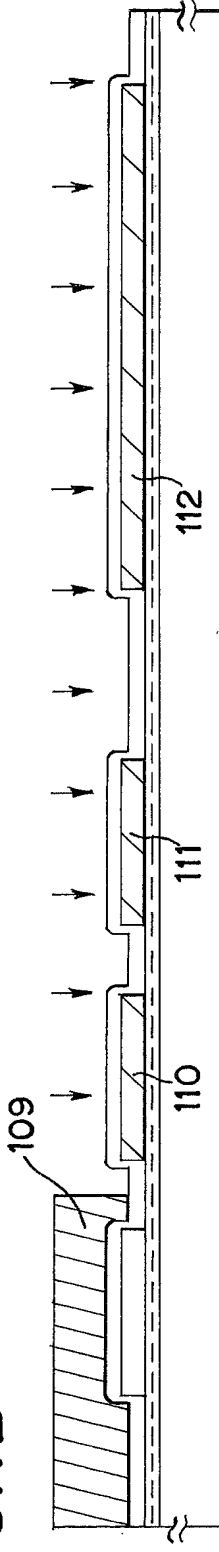
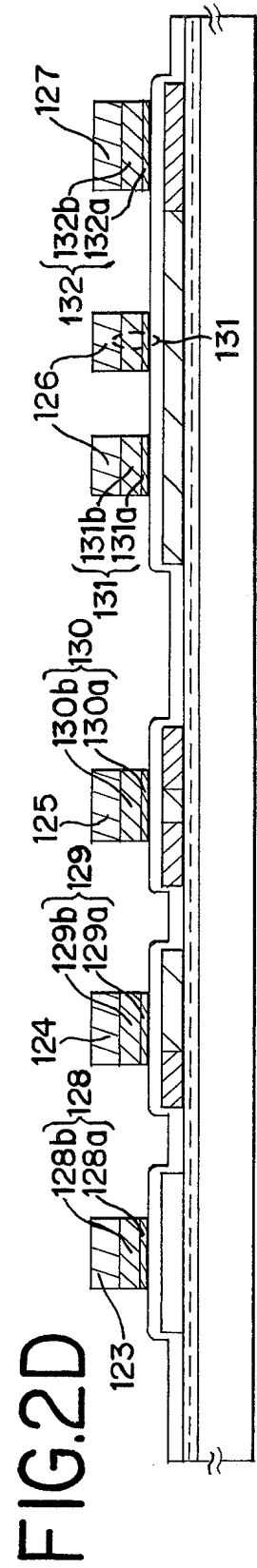
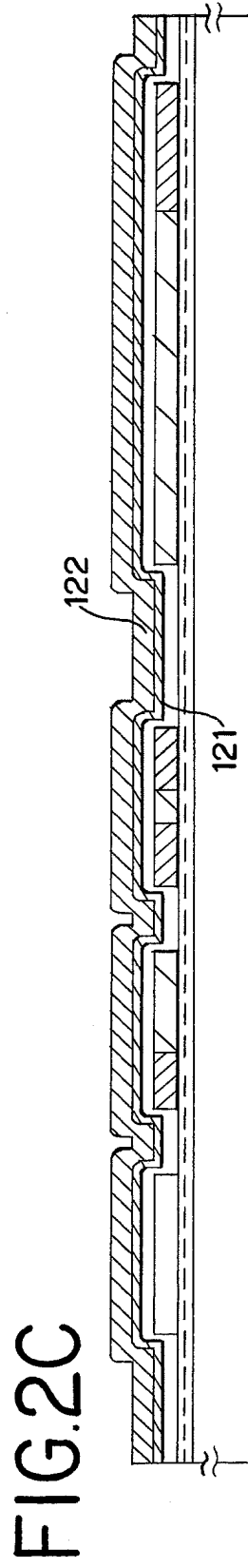
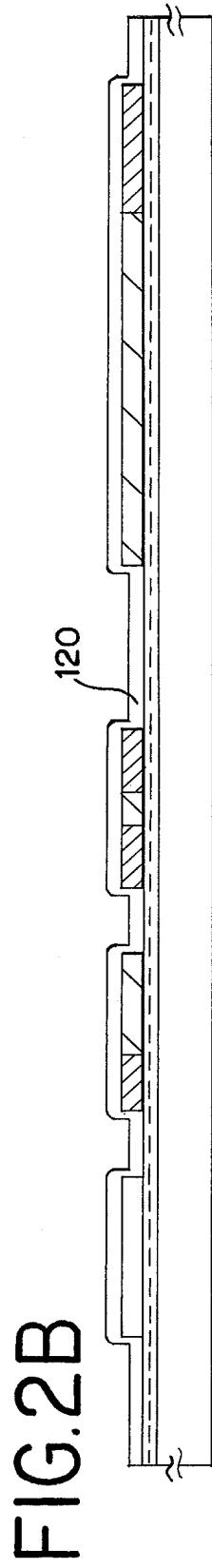
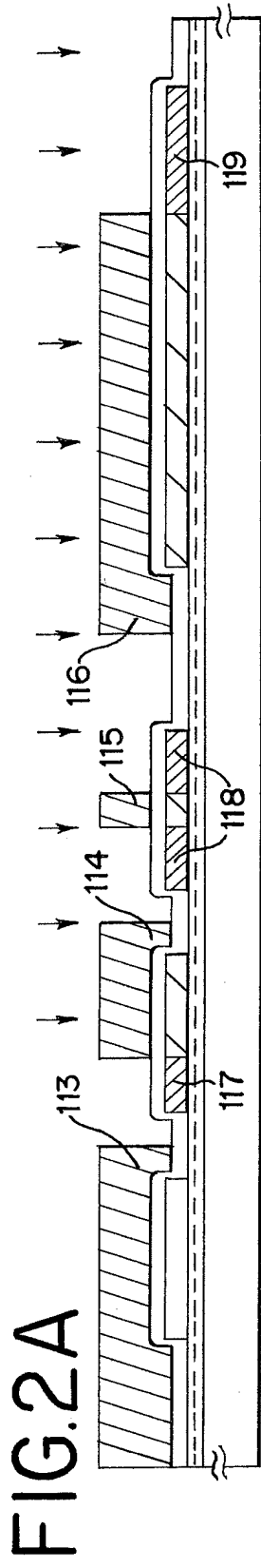


FIG.1D





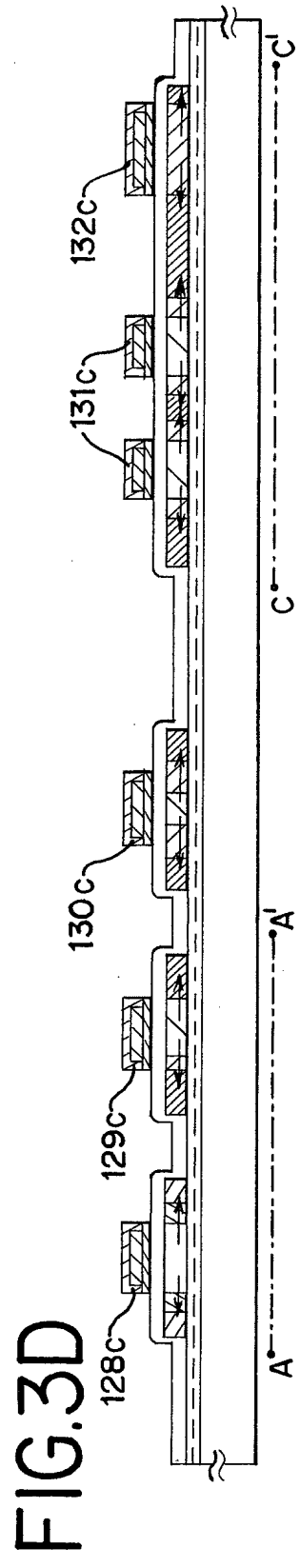
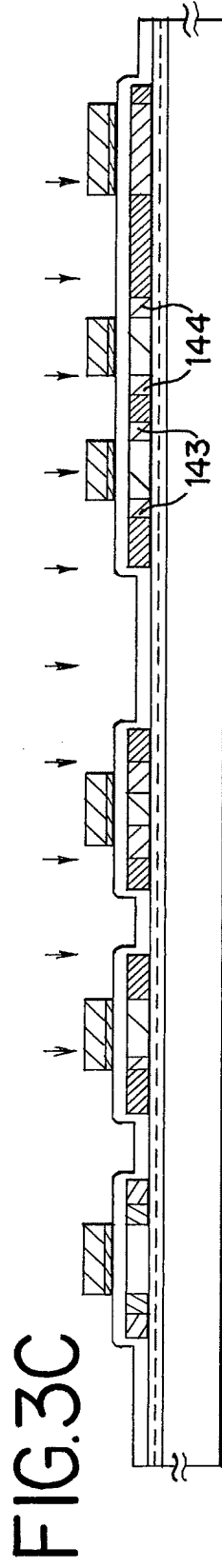
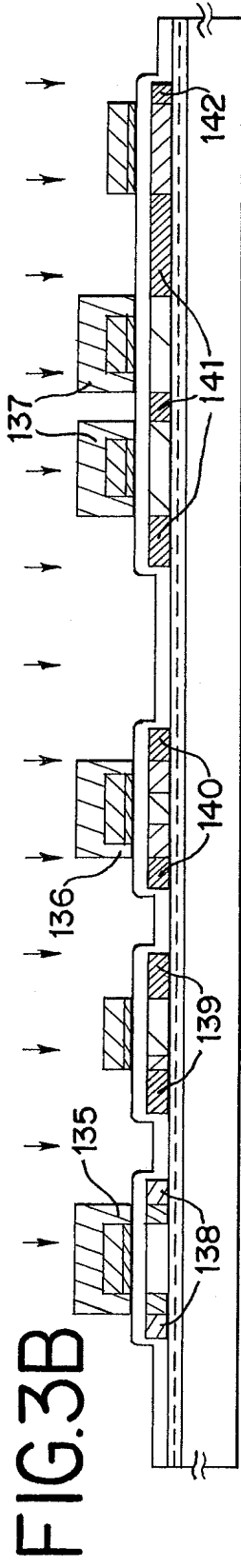
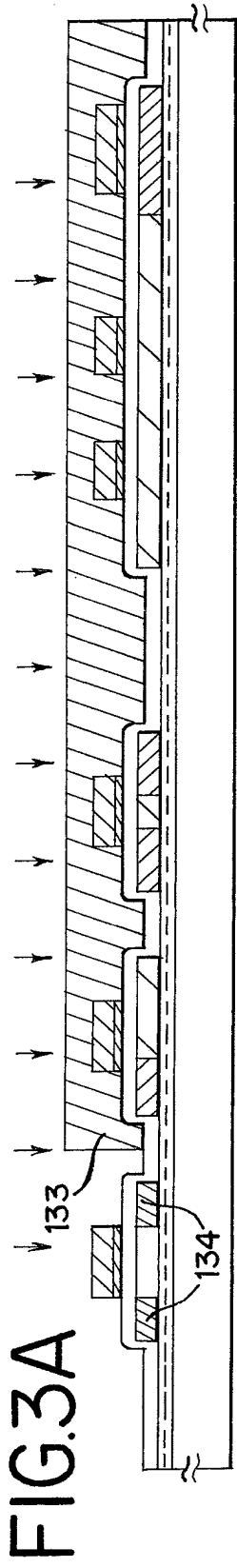


FIG.4A

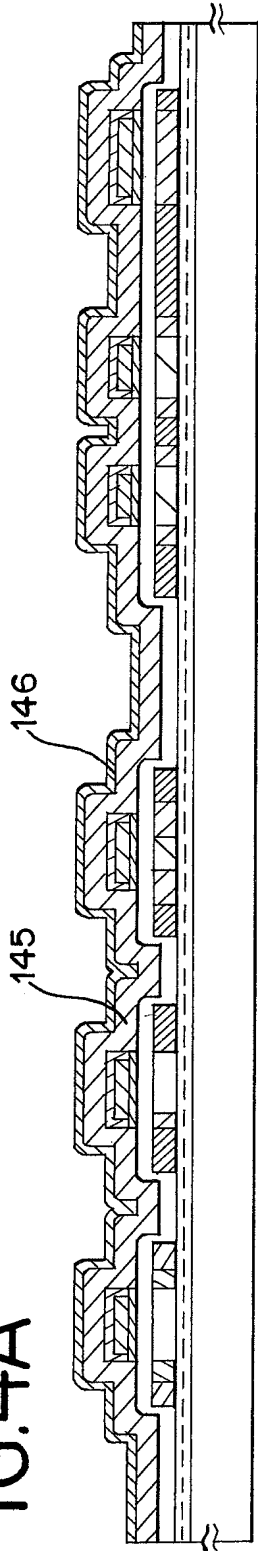


FIG.4B

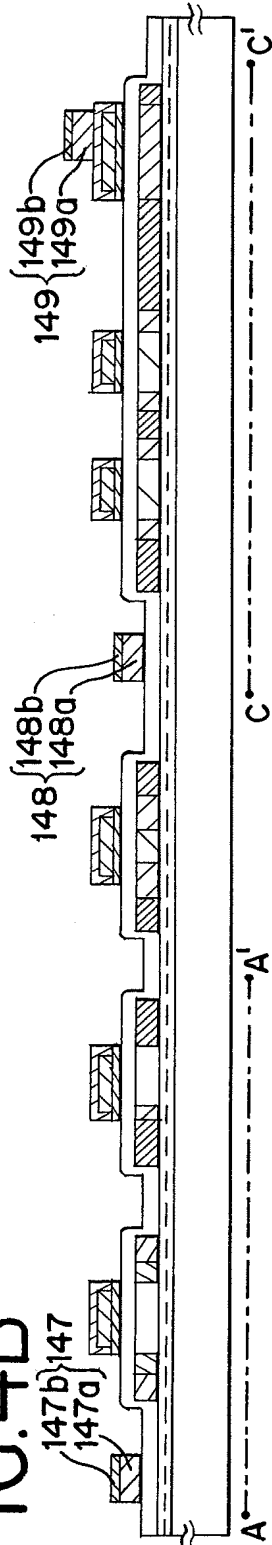


FIG.4C

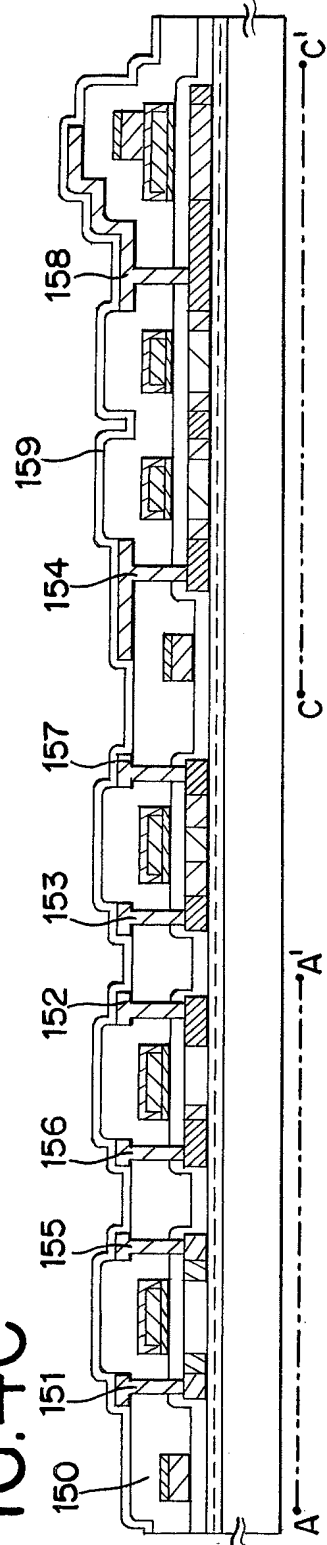


FIG.5

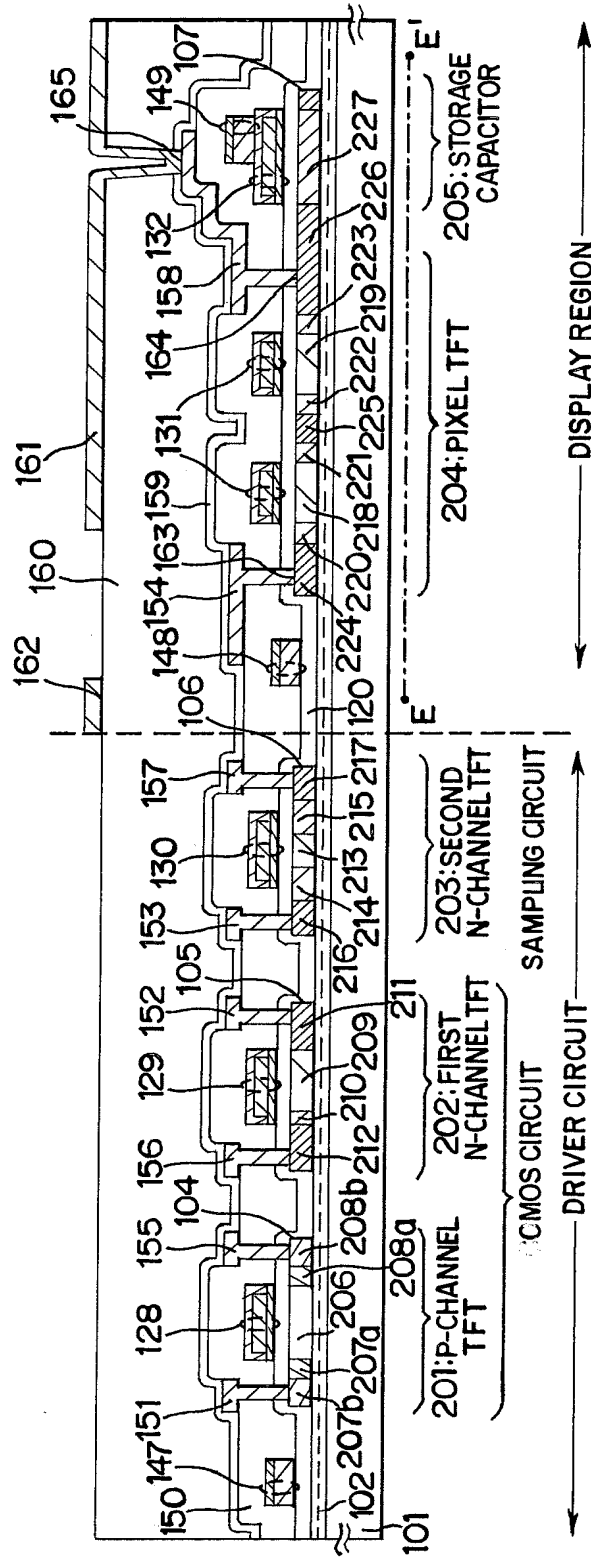


FIG.6A

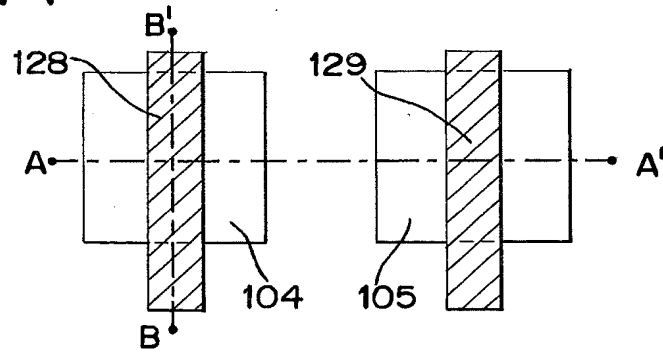


FIG.6B

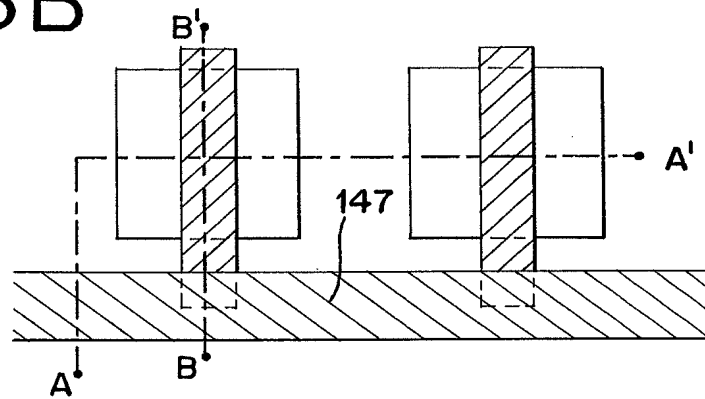


FIG.6C

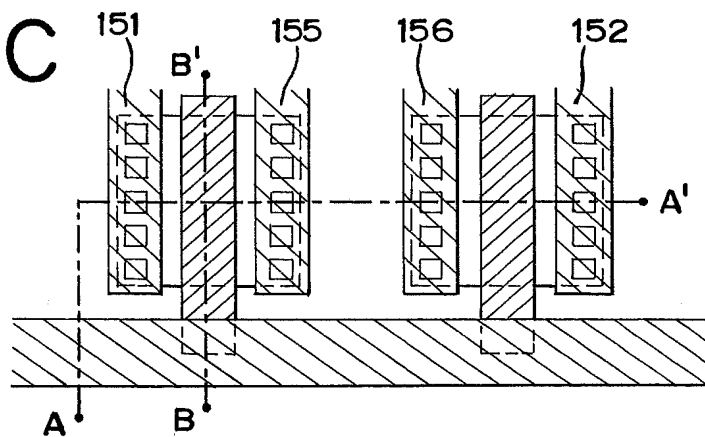


FIG. 7A

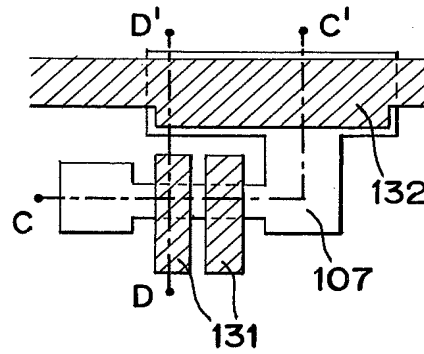


FIG. 7B

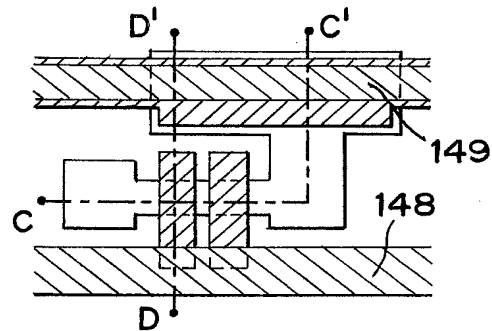


FIG. 7C

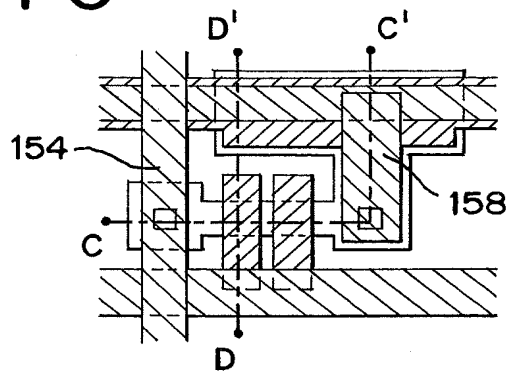


FIG.8A

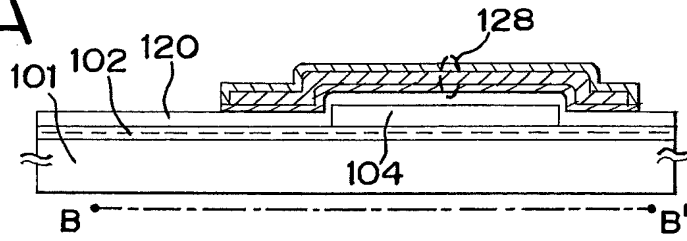


FIG.8B

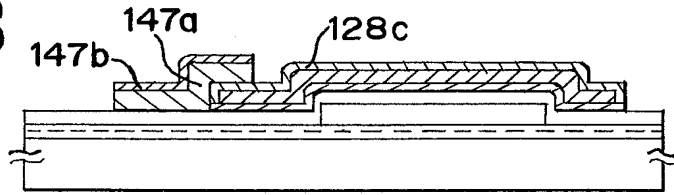


FIG.8C

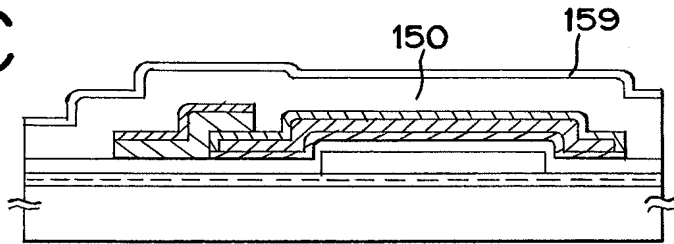


FIG.9A

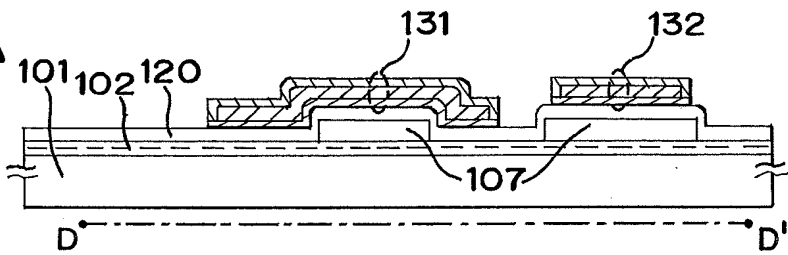


FIG.9B

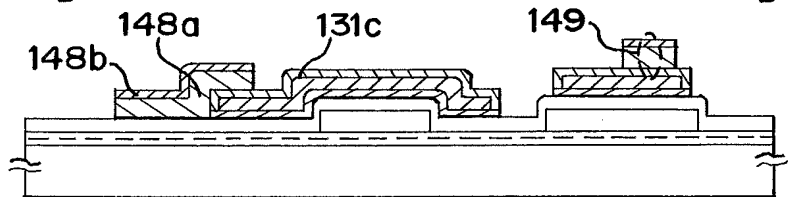
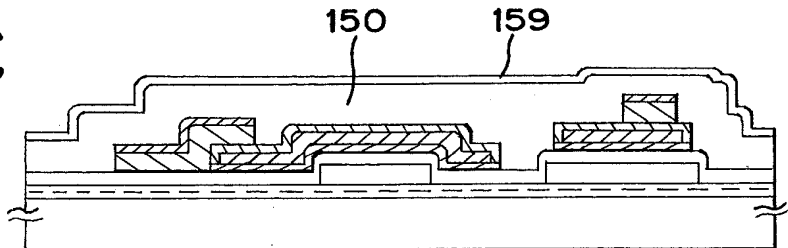


FIG.9C





# FIG.10

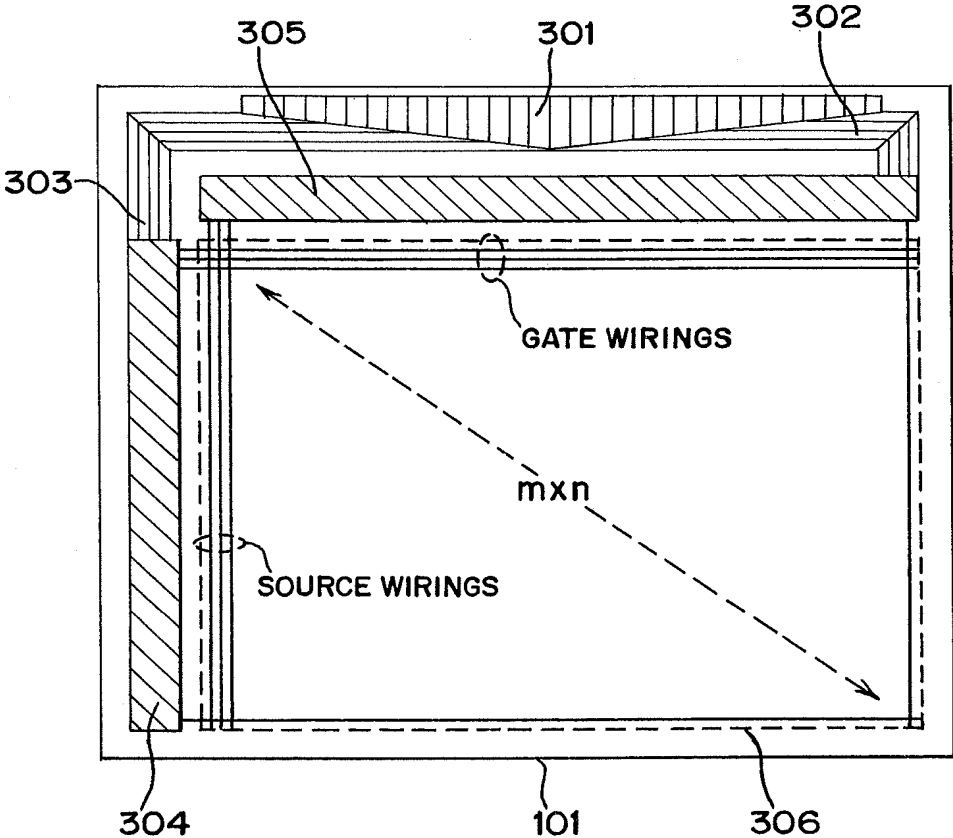
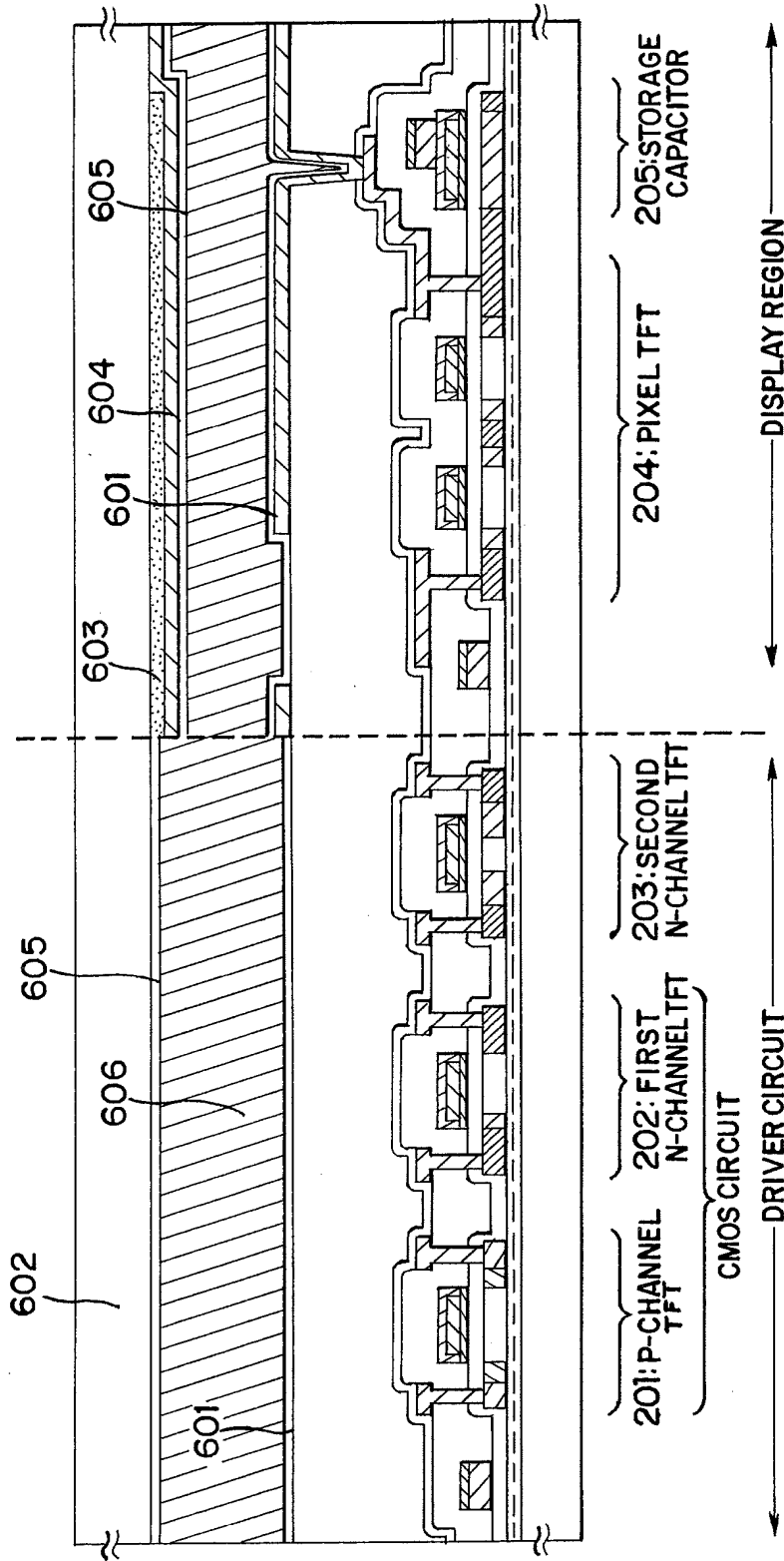
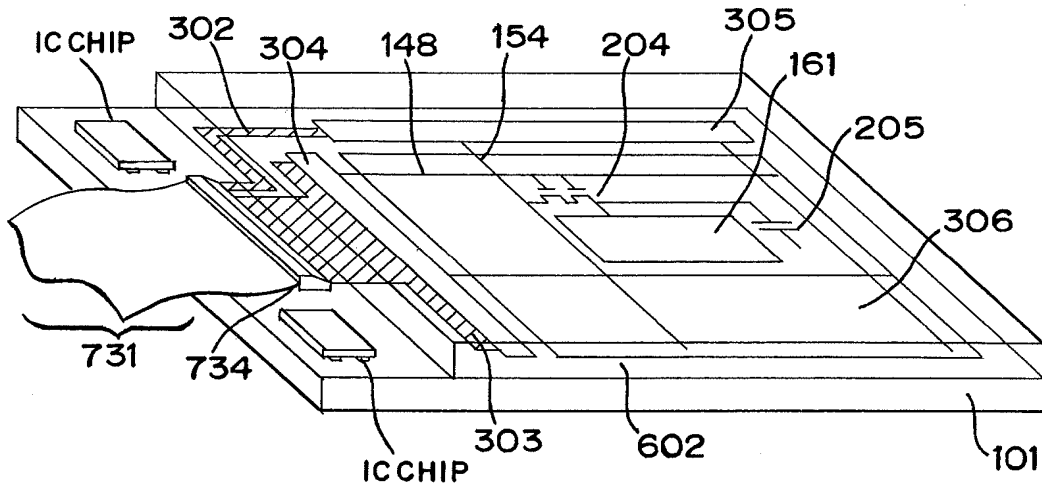


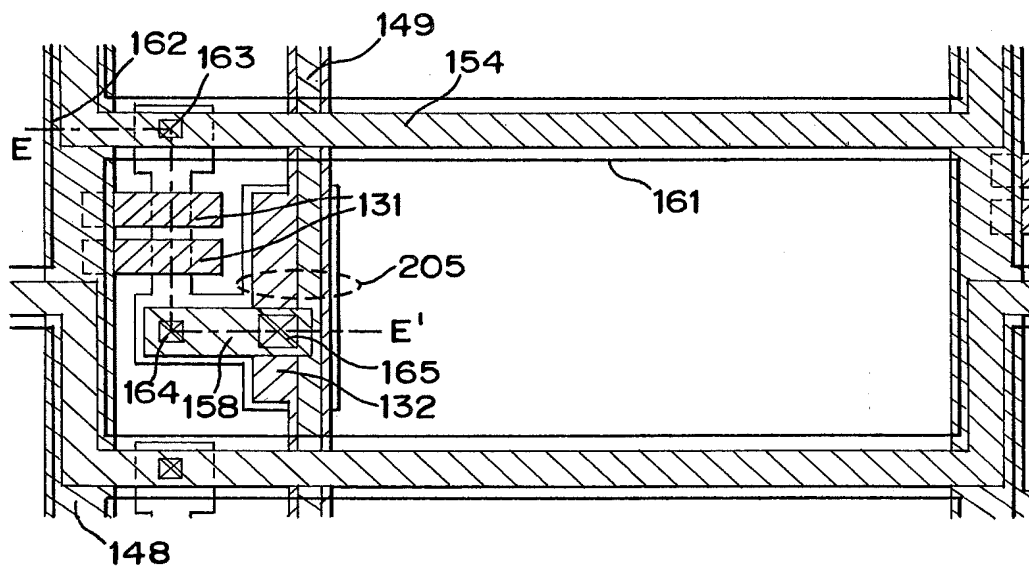
FIG.11



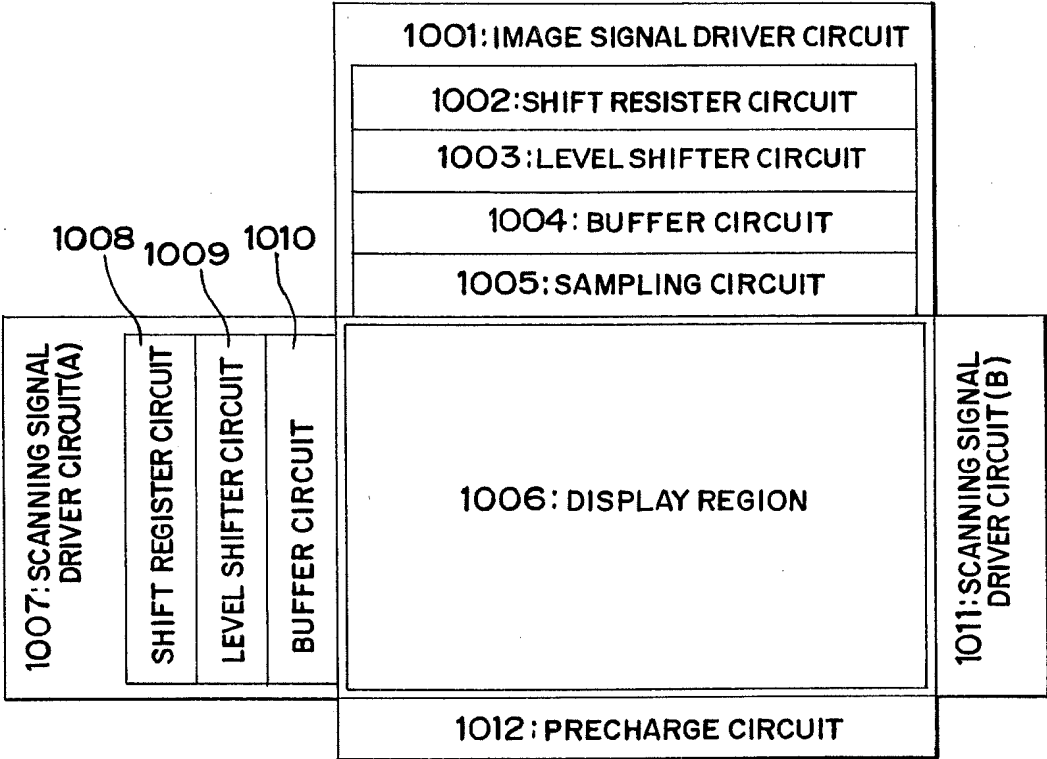
# FIG.12

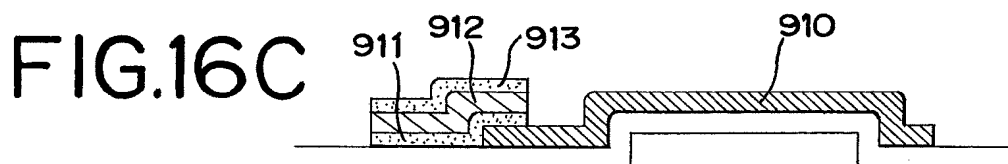
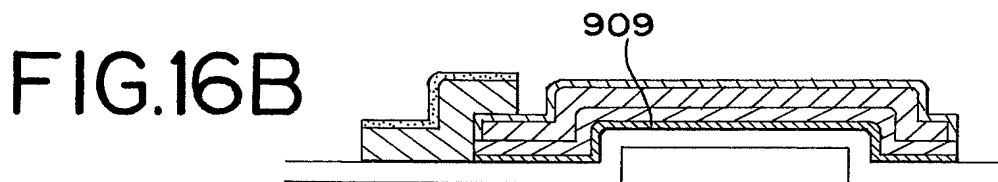
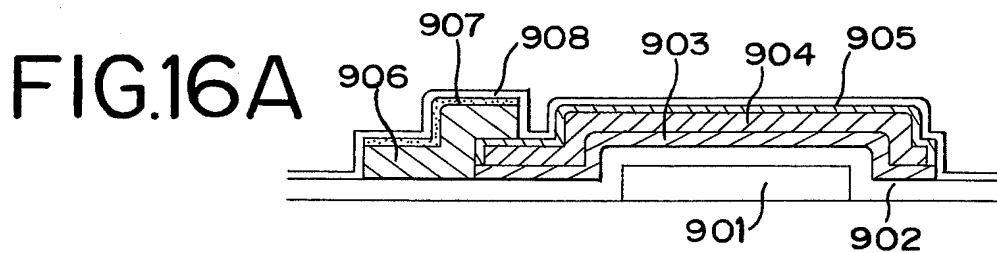
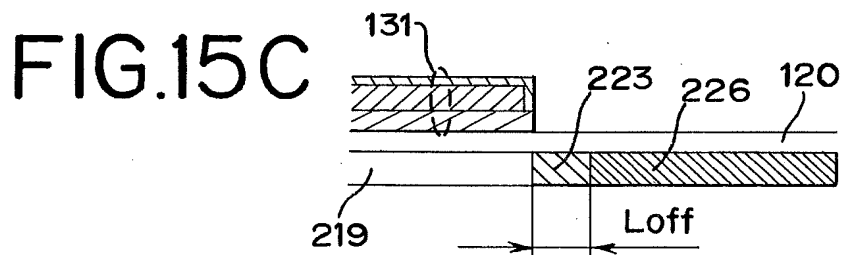
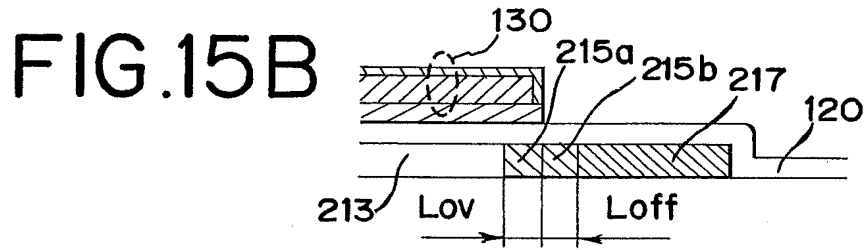
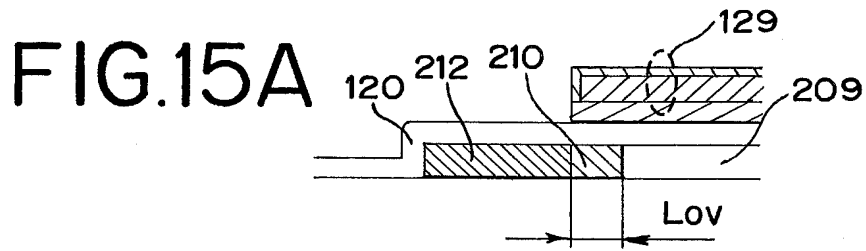


# FIG.13

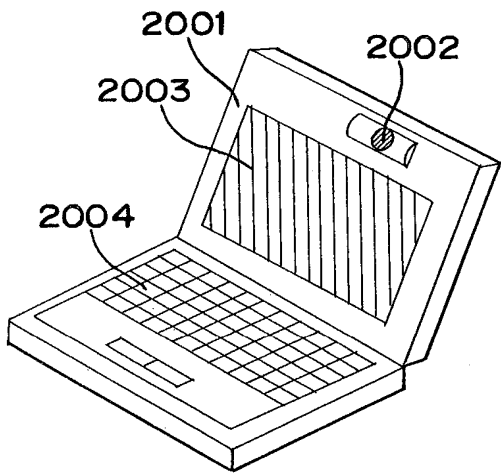


# FIG.14

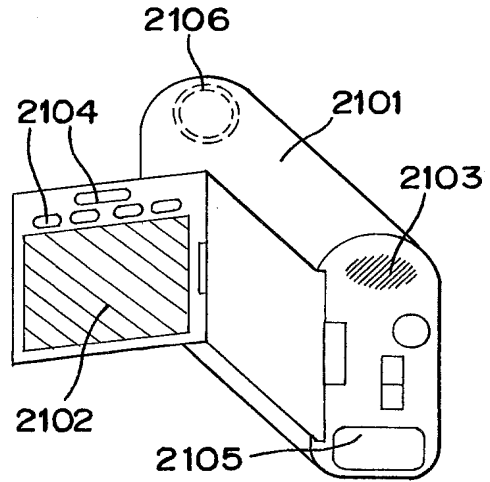




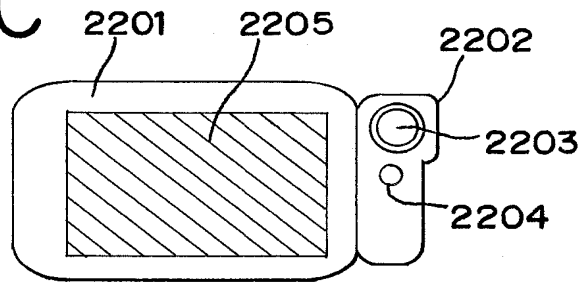
# FIG.17A



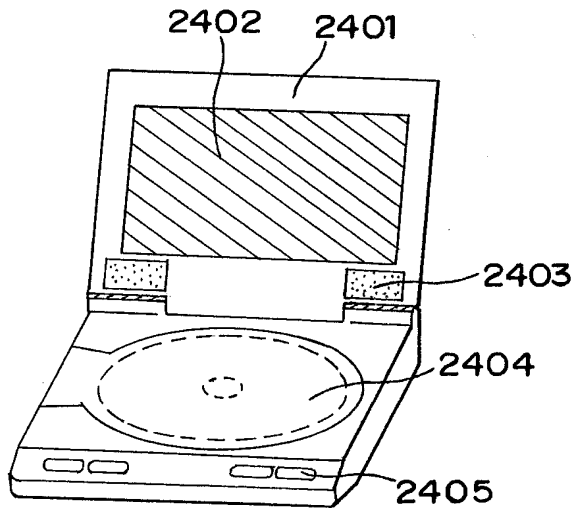
# FIG.17B



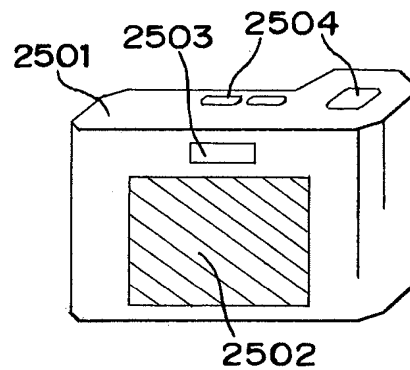
# FIG.17C



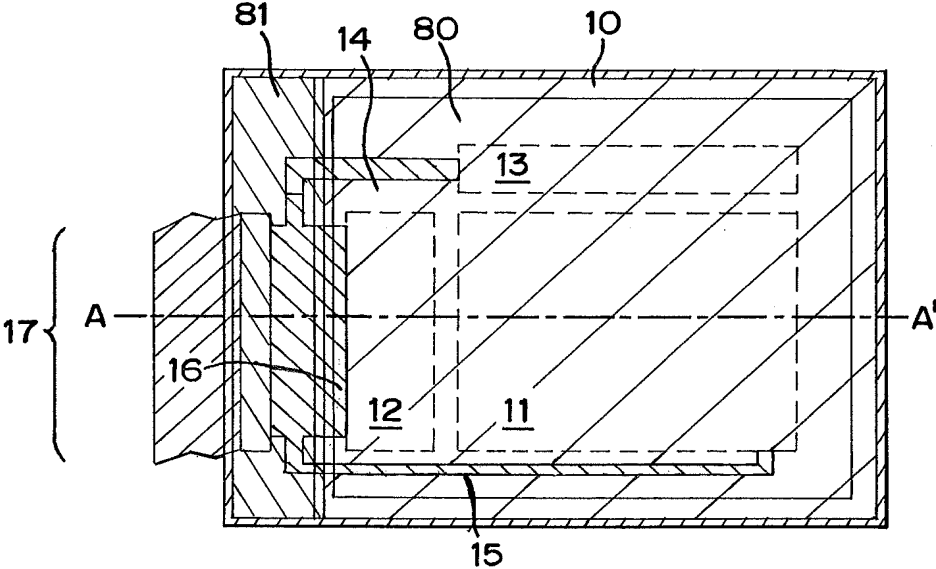
# FIG.17D



# FIG.17E



# FIG.18A



# FIG.18B

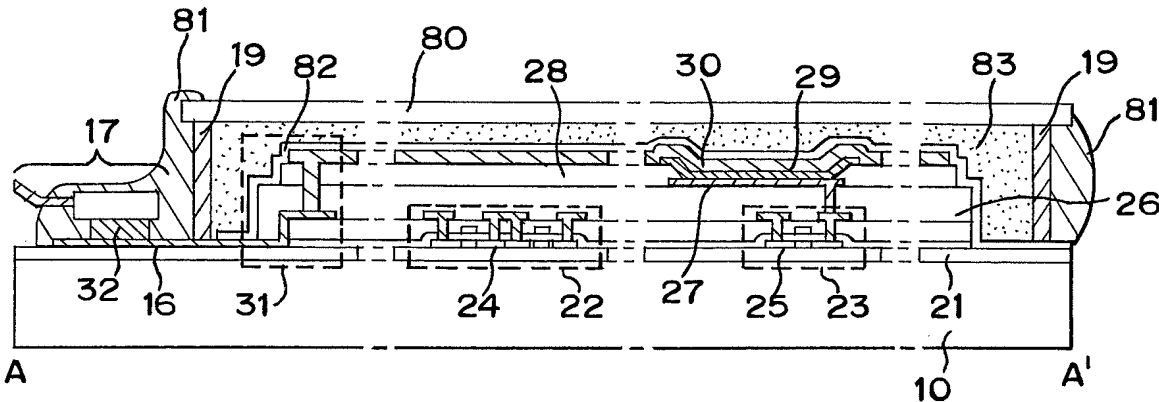


FIG.19A

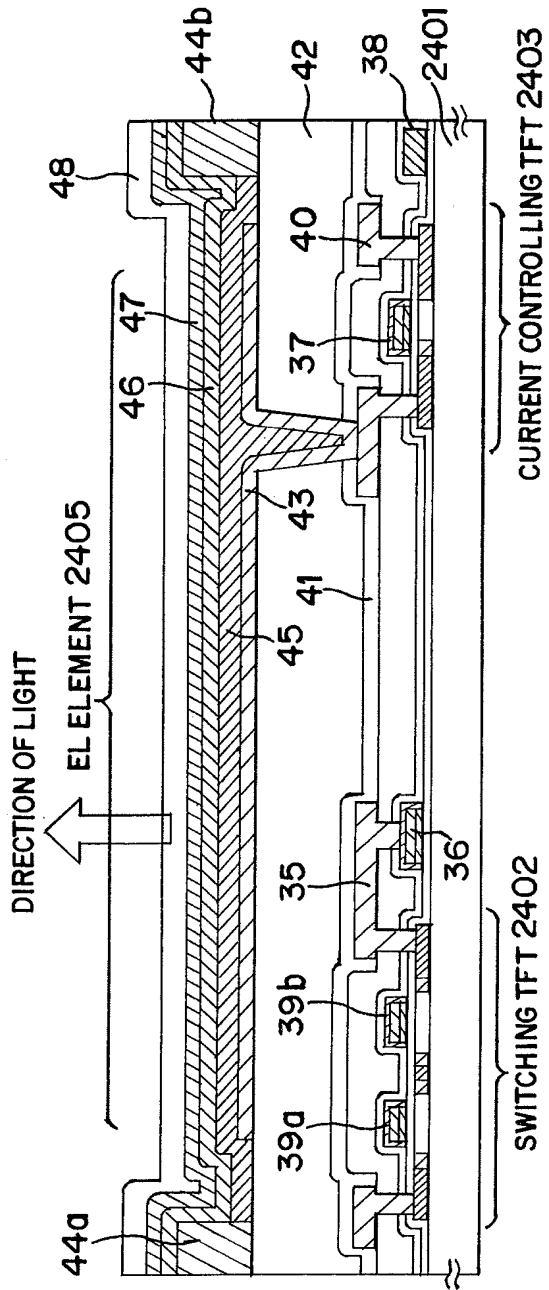
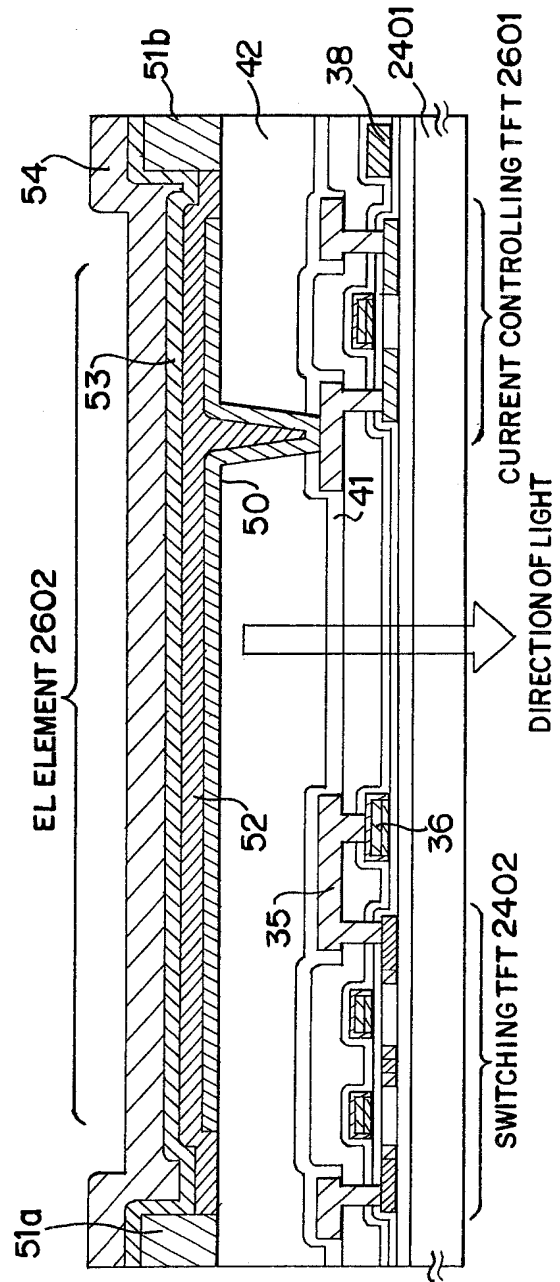
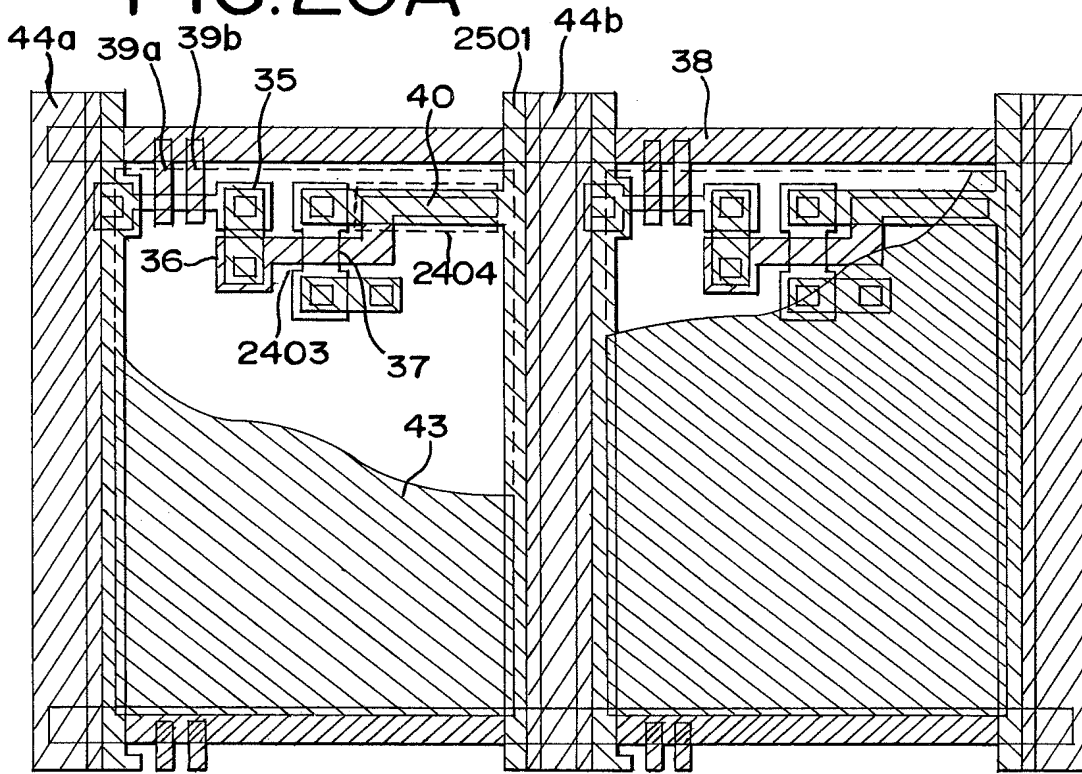


FIG.19B





# FIG. 20A



# FIG. 20B

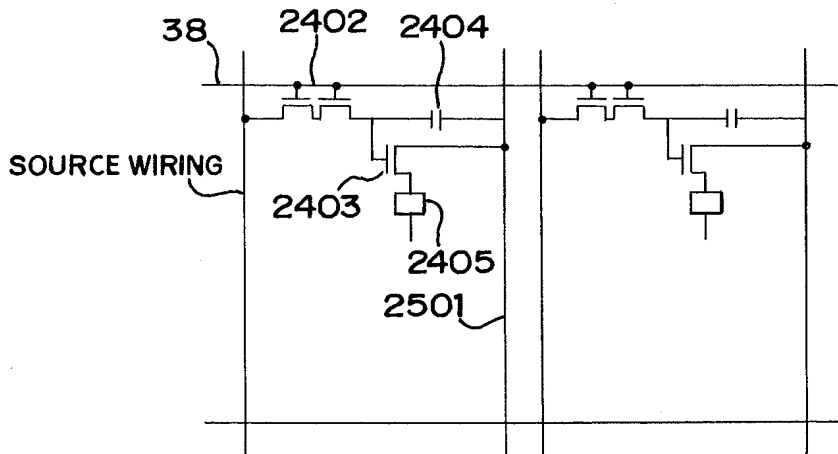


FIG. 21A

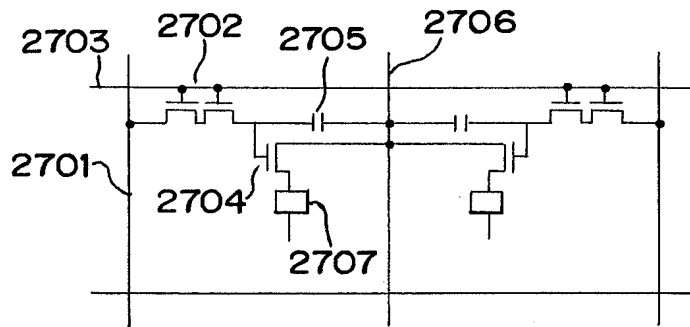


FIG. 21B

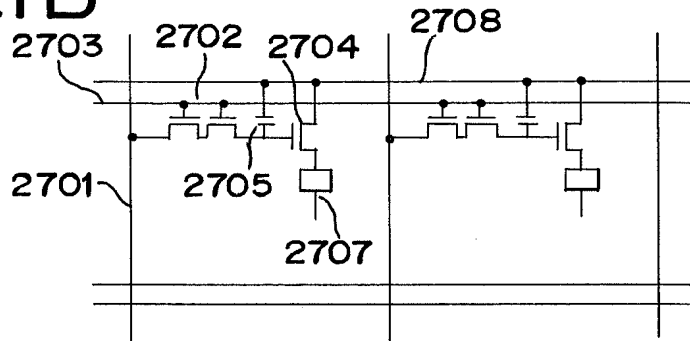


FIG. 21C

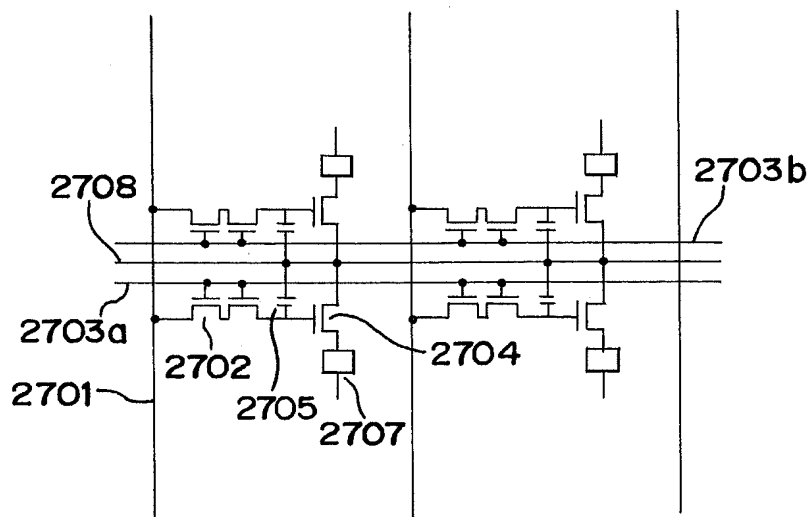


FIG.22

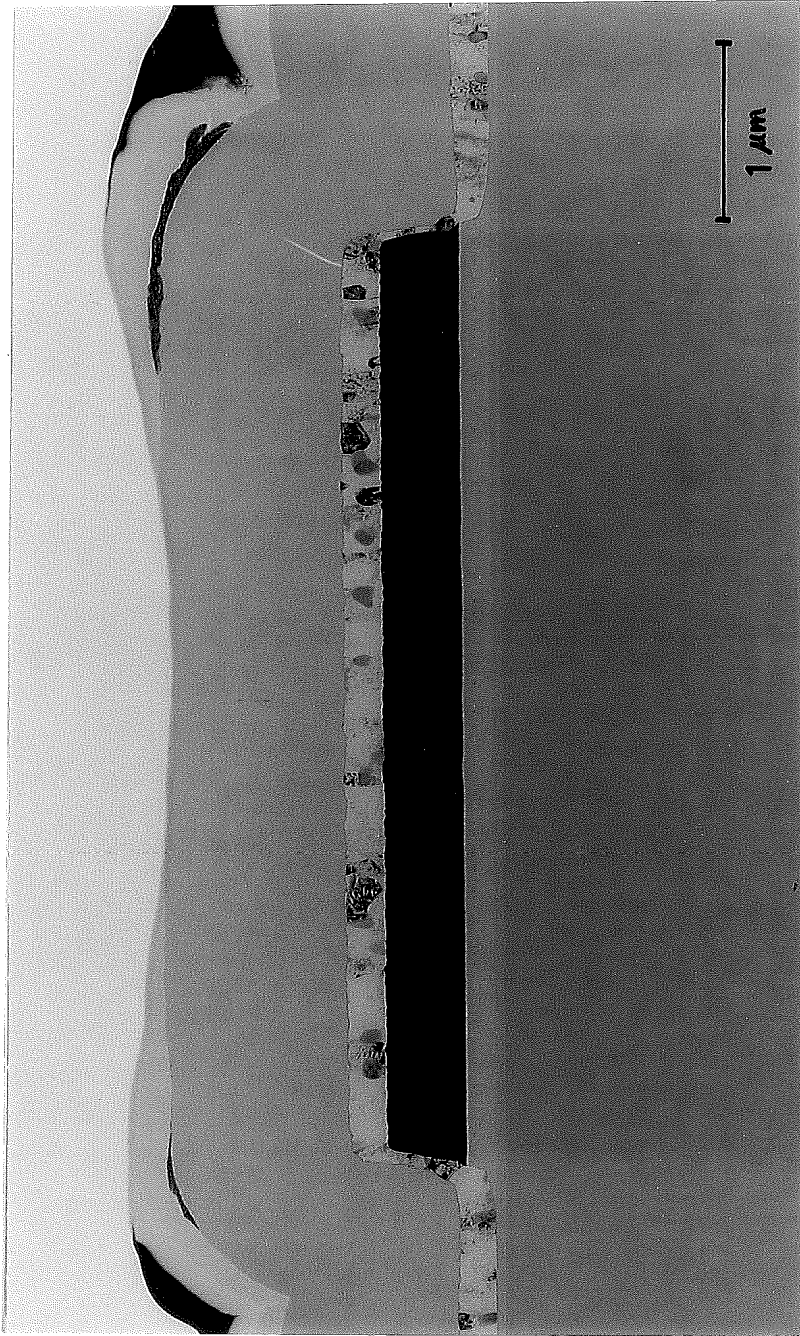
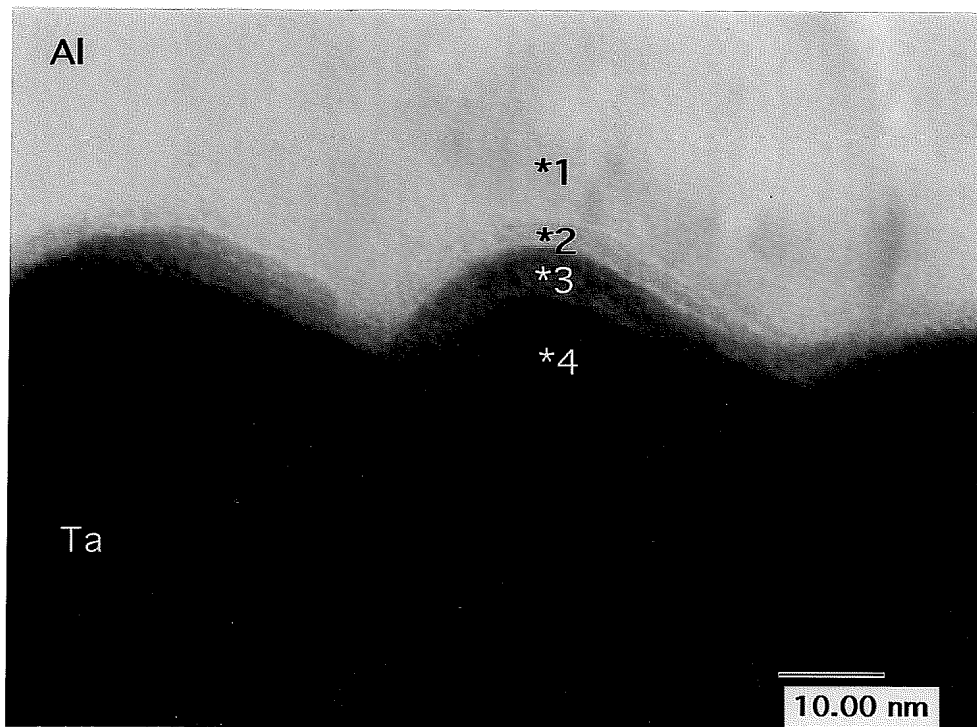
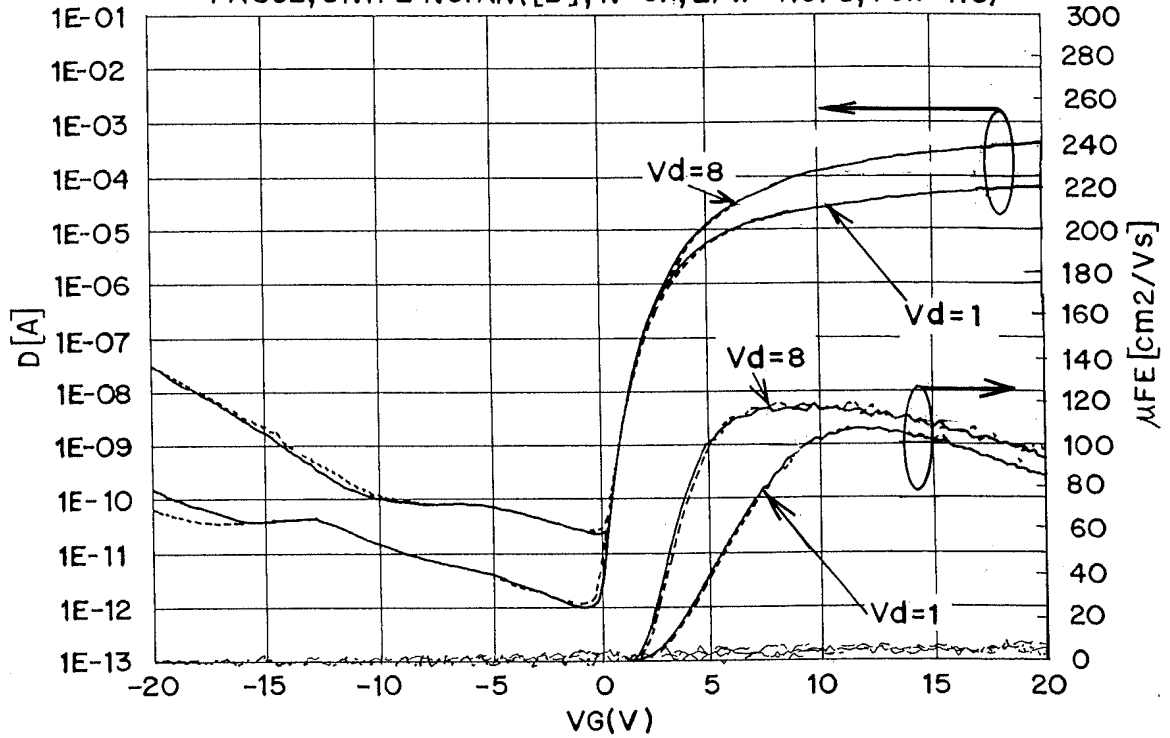


FIG.23



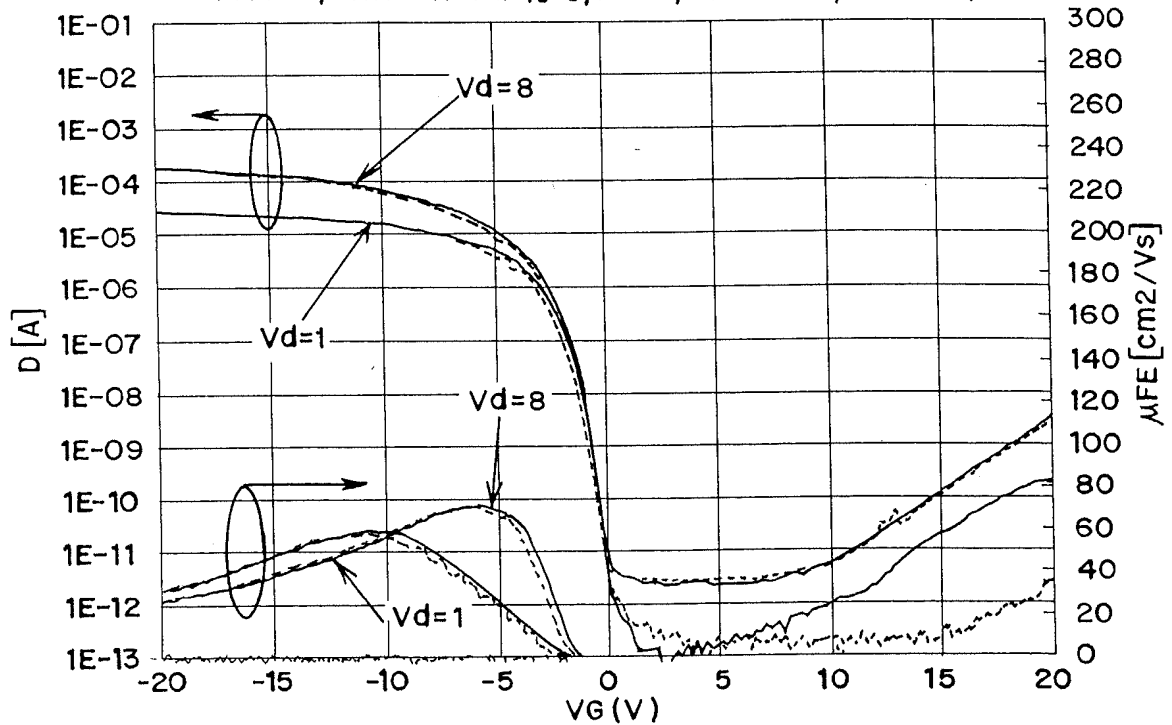
# FIG.24A

PA852, UNIT 2 No. AN([B], N-ch, L/W=7.3/8, Tox=115)

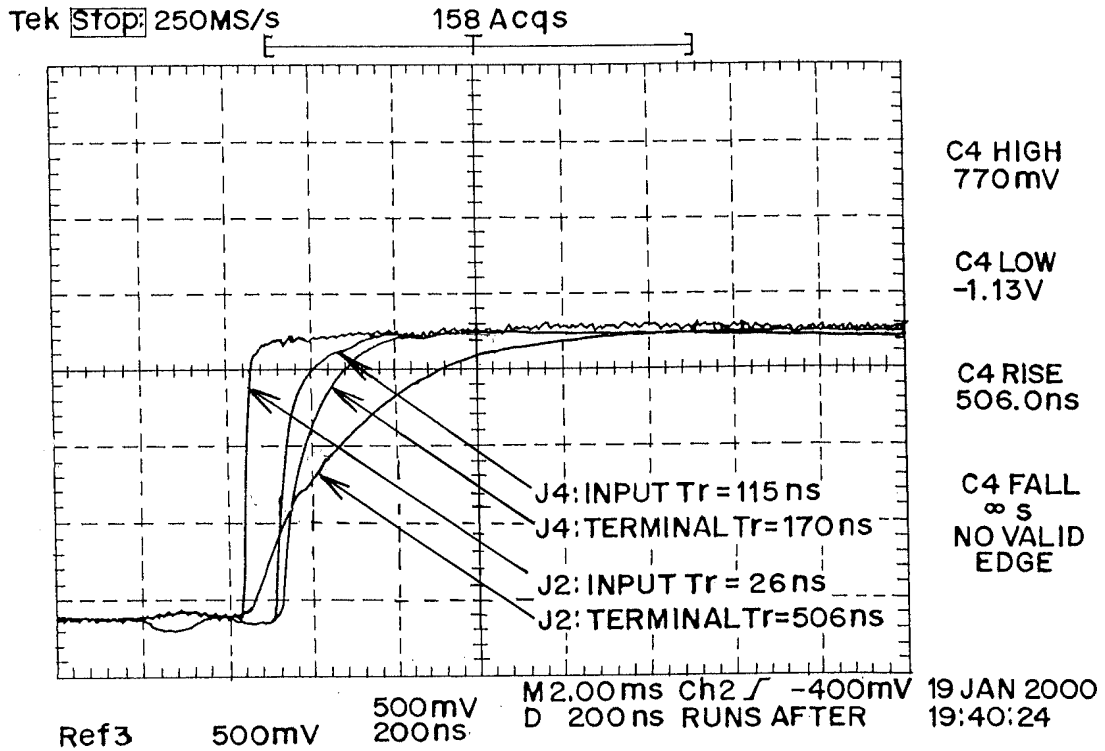


# FIG.24B

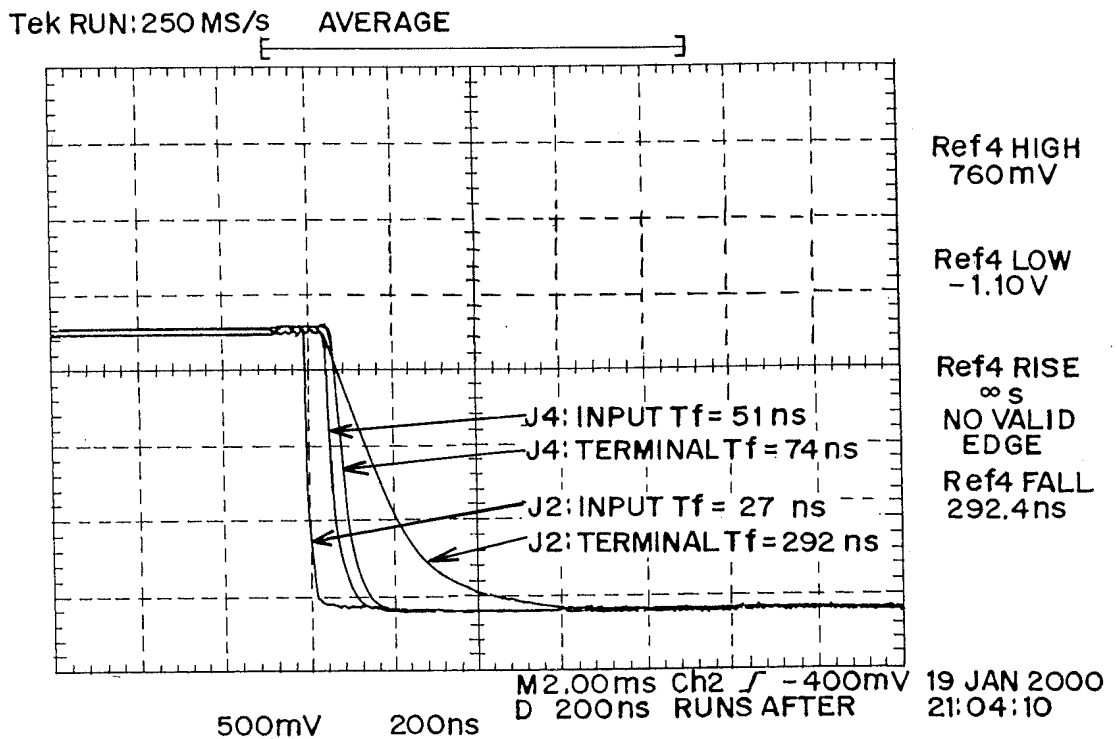
PA852, UNIT 2 No. AP([B], P-ch, L/W=7/8, Tox=115)



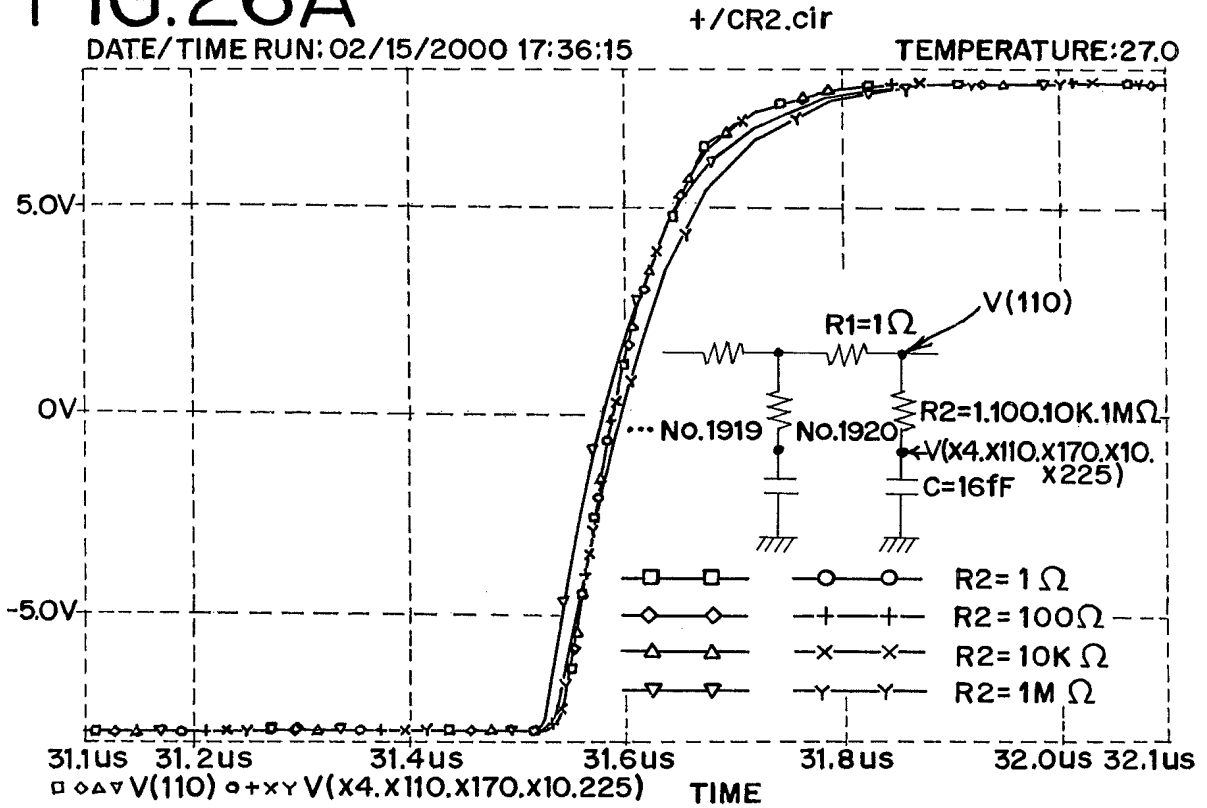
# FIG.25A



# FIG.25B



# FIG.26A



# FIG.26B

